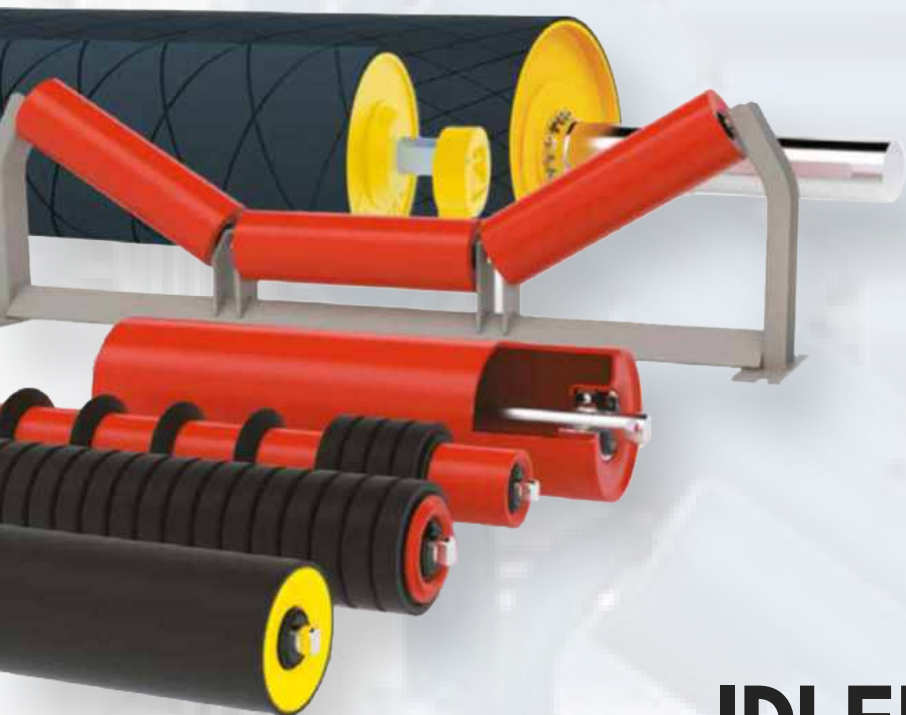


AN ISO 9001-2015
CERTIFIED COMPANY



IDLERS & ROLLERS
www.kic.co.in



ABOUT OURSELVES

KIC is a premier designer and manufacturer of a broad spectrum of bulk and package handling conveyors and systems, featuring an array of components like idlers, drums, and pulleys. With a focus on delivering excellence, KIC has developed and produced idlers with varying toughening angles to cater to diverse applications across a broad range of belt conveyors. These idlers include fixed carrying, fixed return, and garland types, all engineered to accommodate different belt widths.

KIC's idlers, drive drums, and tail pulleys are manufactured to the latest I.S. specifications, ensuring optimum quality and performance. The cutting-edge design and sturdy construction of KIC's idlers, drums, and pulleys facilitate efficient material handling across various industries. These components are available in different ranges, incorporating state-of-the-art technology to meet the expectations of esteemed clients.

KIC's idlers, rollers, and drum pulleys have established a proven track record of strength, quality, and class. Moreover, the latest design of KIC's idlers, rollers, and drum pulleys enables smooth, frictionless movement of conveyors, even under challenging conditions, resulting in reduced maintenance costs and time.

KHODIYAR INDUSTRIAL PRIVATE LIMITED is your one-stop solution for the entire gamut of product, service, and installation-related needs. KIC assumes complete responsibility for your installations, providing an unmatched level of service and support to ensure that your conveyors and systems operate seamlessly.

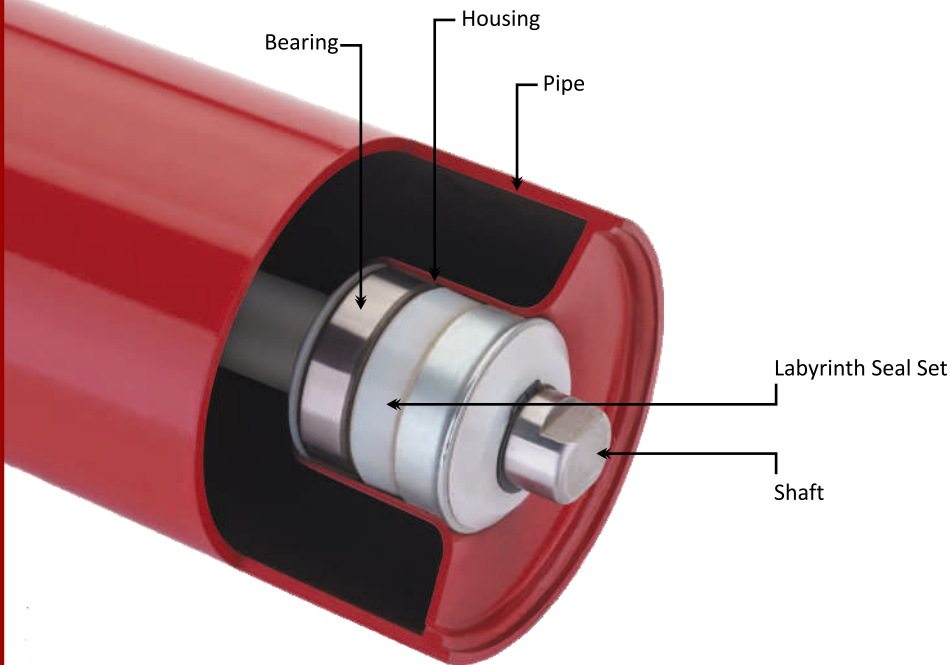


Goal

To be the "TATA" of our business and build Rs. 300 Cr. Group by 2030.

Core Value

- >> Transparency <<
- >> Customer First <<
- >> Respect for All <<
- >> Commitment <<
- >> Team Work <<
- >> Continuous Improvement <<



ERW Pipe

High Speed Conveyor Tube
 In Accordance to IS-9295
 Outer dimension variation
 ± 0.2 mm for $\varnothing < 133$ mm
 ± 0.3 mm for $\varnothing > 133$ mm
 Wall thickness variation
 $\pm 10\%$ applicable
 In line eddy Curerent tested



Shaft

Cold Drawn Bright Shaft Bar
 Tolerance $\pm 0.0 - 0.03$ mm



Bearing (Ball Bearing)

62xxZZ / RS
 63xxZZ / RS



Housing

CNC Treated to ensure both :
 - Proper fit of sheel ends to bearing housing
 - Excellent grip and positioning of bearing inside the bearing housing
 - Tolerance $+ 0.00. - 0.027$ mm

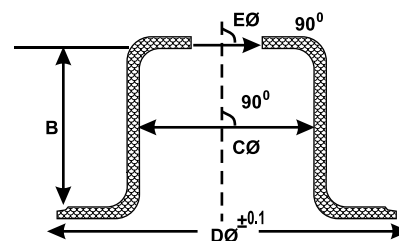


Housing & Labyrinth Seal Set

- 1) Sealing Ring (Material: Nylon)
- 2) Female Labyrinth Sealing Ring/inner Seal (Material: Nylon)
- 3) male Labyrinth sealing ring/Outer Seal (Material: Nylon)
- 4) Metal cap/Dust Cap (Material: Steel)
- 5) protective cap/Rain Cap (Material: Nylon)

Tube \varnothing	D \varnothing -0.10
63.5	58.5
76.1	71
88.9	84.5
101.6	97.5
108	103.5
114.3	109.5
127	122.5
139.7	135
152.4	147
159	151
168.3	163

Bearing	-0.03 -0.00 C \varnothing	B +0.010	E \varnothing ± 0.2
6204/ 420204	47	43	27
6205 / 420205	52	44	32
6306	72	45.5	37
6307	80	58	80
6308	40	55.5	47





Carrying Roller



Return Rollers



Impact Roller



Rubber Disc Return Roller



Self-cleaning Rollers



Wing Roller



Guide Roller



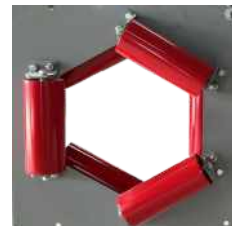
Guide Roller



Friction Roller



HDPE Roller



Pipe Conveyor Roller

IDLERS



Carrying Idlers



CEMA Idlers



Impact Idlers



Friction Idler



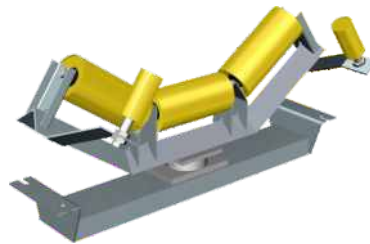
Garland Idlers



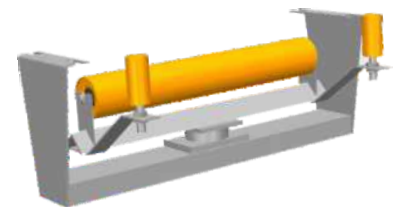
Wing Idlers



Return Idler



S.A. Carrying Idler



S.A. Return Idler



SMSR - SHAFT MOUNTED SPEED REDUCER

Shaft Mounted Gearbox

Tapper bush Gearbox



Holdback / Stopback Gearbox



KHODIYAR INDUSTRIAL PRIVATE LIMITED is a top manufacturer of SMSR gearbox, providing high-quality products to various industries. Our gearbox is designed to provide efficient power transmission and is manufactured using the latest technology and high-grade materials. With our commitment to quality and innovation, we have established ourselves as a trusted brand in the industry.

Tapper Lock Pulley SPA, SPB, SPC, SPZ



KHODIYAR INDUSTRIAL PRIVATE LIMITED is a top manufacturer of taper lock pulleys, providing high-quality products to various industries. Our pulleys are designed to provide efficient power transmission and easy installation with their unique taper lock design. They are manufactured using the latest technology and high-grade materials to ensure durability and reliability. With our commitment to quality and innovation, we have established ourselves as a trusted brand in the industry.

We, **KHODIYAR INDUSTRIAL PRIVATE LIMITED** are a leading manufacturer of various types of couplings, including gear couplings, pin bush couplings, spider couplings, and Tyre couplings. We take pride in delivering high-quality products that meet the specific needs of our customers across various industries.

Our gear couplings are designed to provide high torque transmission and precise alignment for heavy-duty applications, while our pin bush couplings are ideal for applications that require shock absorption and low maintenance. Our spider couplings and tyre couplings offer exceptional flexibility and vibration damping capabilities, making them suitable for applications that demand high levels of vibration control.

At Khodiyar Industrial Private Limited, we strive to provide reliable and efficient solutions to our customers. Our couplings are manufactured using the latest technology and high-grade materials, ensuring durability, reliability, and longevity. With our commitment to quality, innovation, and customer satisfaction, we have established ourselves as a trusted brand in the industry. We are dedicated to meeting the diverse needs of our customers and offer custom-designed couplings to suit their unique requirements. Our experienced team of professionals works closely with our clients to provide the best possible solutions and ensure that their specific needs are met.

Choose **KHODIYAR INDUSTRIAL PRIVATE LIMITED** for your coupling needs, and experience the difference in quality, performance, and customer service

Pin Bush Coupling



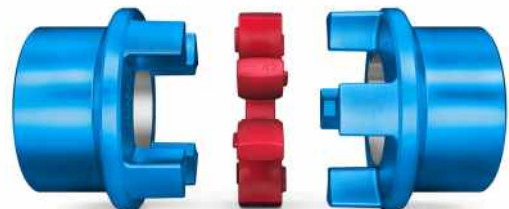
Gear Coupling



Tyre Coupling



Spider Coupling



Advantage Machinery for PIPE PROCESS



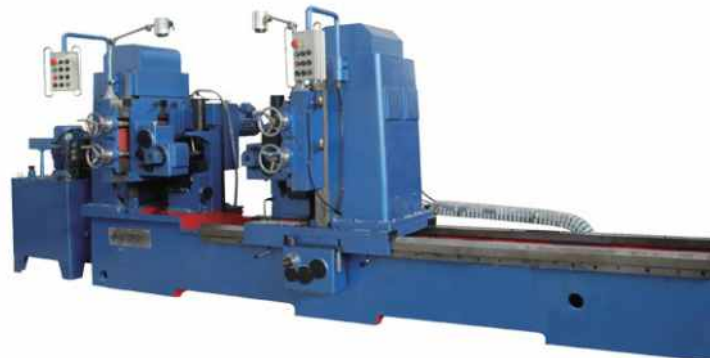
**Automatic Tube
Cutting Machine**

**Double Head
Pipe Boring Machine**

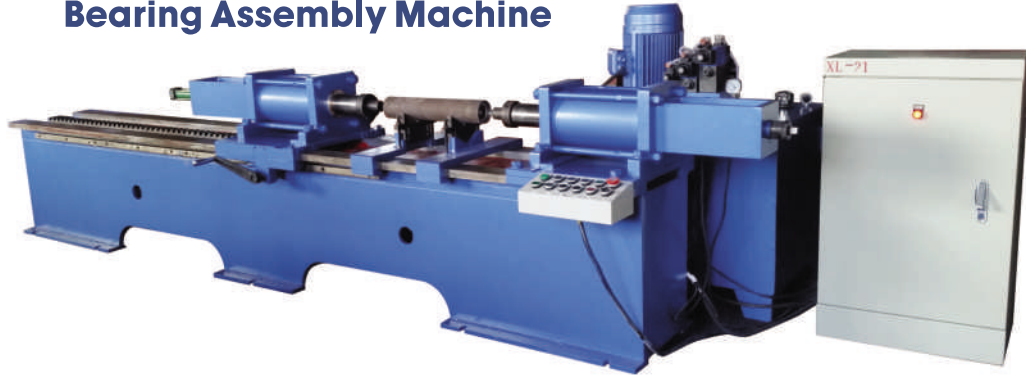


**Double Head
Mig Welding Machine**

**Double Head
Milling Machine**



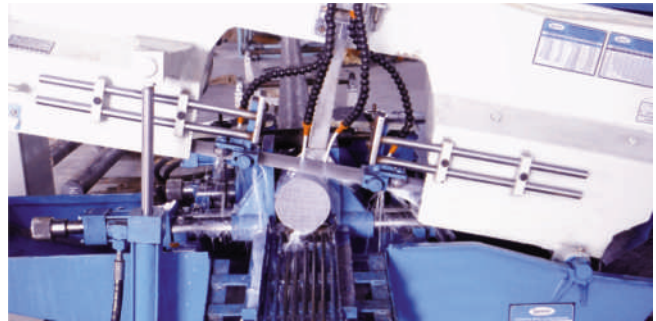
Bearing Assembly Machine



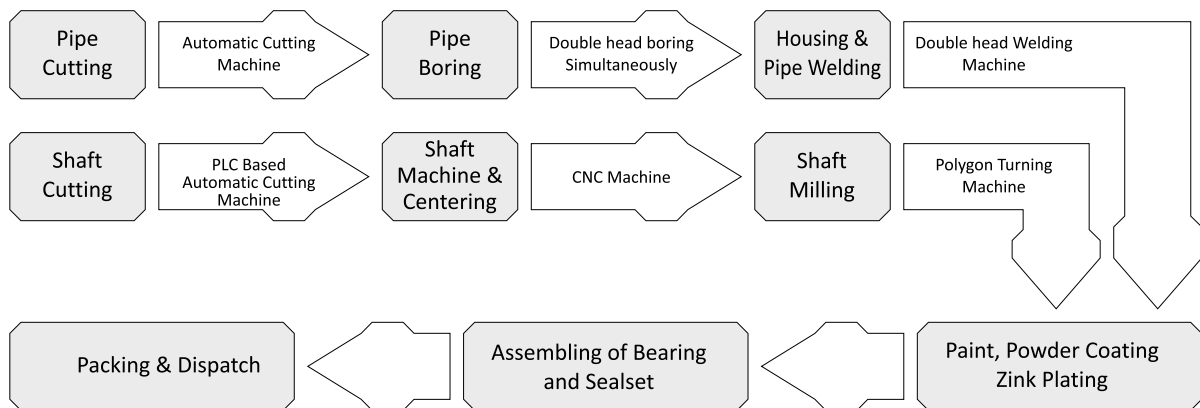
Shaft CNC Machine



Shaft Cutting Machine



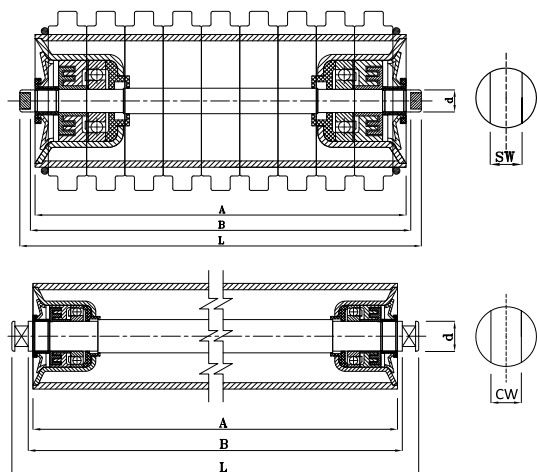
Process Flow Chart



TASTING FACILITY

- Water Test
- Dust Test
- Friction Test
- Run-Out Test
- Tube Ovality Test





SERIES - KIC 204					
STANDARD - IS : 8598 / 4776					
TUBE DIA & THICKNESS AS PER IS : 9295 / 12.39					
		L	M	H	E.H.
1)	88.9 dia	- 3.25	4.05	4.85	-
2)	114.3 dia	- 3.65	4.5	5.4	6.3
3)	139.7 dia	- 4.5	4.85	5.4	6.3
4)	165.1 dia	- 4.5	4.85	5.4	6.3
D 20 / 25 / 30 / 35 mm					
SW 14 / 18 / 22 / 28 mm					
All dimension are in mm.					

SERIES : KIC : 6204 / 05 / 06 / 07

Belt Width	Roller Dia.	Flat Top / Return Idler					2 Roll Top Idler					3 Roll Top Idler				
		Dimension in mm			Wt. In Kg.		Dimension in mm			Wt. In Kg.		Dimension in mm			Wt. In Kg.	
		A	B	L	Rotating Parts	Total	A	B	L	Rotating Parts	Total	A	B	L	Rotating Parts	Total
*600	88.9	700	708	742	7.4	10.8	350	358	382	4.4	6.1	235	243	267	3.4	4.6
	10.1				13.6	5.9				7.6	4.5				5.6	
650	88.9	750	758	792	7.9	11.5	380	388	412	4.7	6.5	250	258	282	3.6	4.8
	10.7				14.4	6.2				8.1	4.7				5.9	
*750	114.3	850	858	892	12.0	16.1	415	423	447	6.7	8.7	280	288	312	5.0	6.4
	15.6				19.9	8.6				10.6	6.4				7.8	
800	114.3	950	958	992	13.1	17.8	465	473	497	7.3	9.5	315	323	347	5.5	7.0
	17.3				21.9	9.4				11.7	7.0				8.5	
	20.4				25.0	11.0				13.4	8.2				9.8	
*900	114.3	1050	1058	1092	14.4	19.5	530	538	562	8.0	10.6	350	358	382	5.9	7.6
	18.9				24.0	10.5				13.0	7.6				9.3	
	22.3				27.5	12.3				15.0	8.9				10.6	
1000	114.3	1150	1158	1192	15.6	21.2	600	608	632	8.9	11.8	380	388	412	6.2	8.1
	20.5				26.1	11.6				14.5	8.0				10.0	
	24.2				29.9	13.7				16.6+	9.5				11.3	
1200	114.3	1400	1408	1442	18.6	25.4	700	708	732	10.1	13.5	465	473	497	7.3	9.5
	24.6				31.4	13.2				16.6	9.4				11.7	
	29.0				35.9	15.6				19.0	11.1				13.4	
1400	114.3	1600	1608	1642	21.0	28.8	800	808	832	11.3	15.2	530	538	562	8.0	10.6
	27.8				35.6	14.8				18.7	10.5				13.0	
	32.9				40.7	17.5				21.4	12.3				14.9	
*1500	114.3	1700	1708	1742	22.2	35.5	850	858	882	11.9	16.0	565	573	597	8.5	11.3
	29.4				37.7	15.6				19.8	11.0				13.9	
	34.8				43.0	18.5				22.6	13.0				15.8	

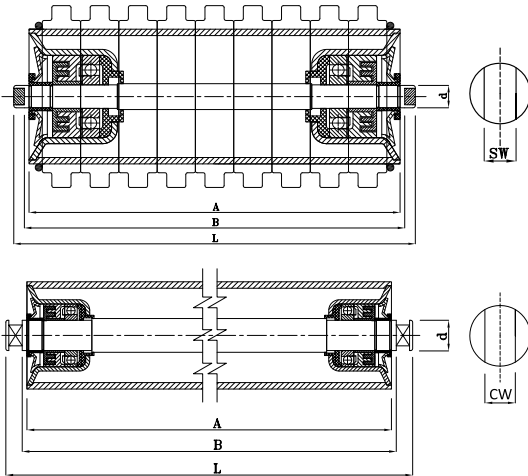
*1. Belt Width not covered under IS.

2. Rollers with 76.2 mm, 101.6 mm, 127 mm & 152.4 mm. Dia can be made as per Customers specific requirement.

3. Impact Idlers will have rubber Rings (Shore Hardness 65°±50°) press fitted on the Ø76.1, 88.9 / 114.3 dia tube and locked at both ends.

4. Weight of Roller based on medium duty tube.

ROLLERS DIMENSIONS



SERIES - KIC 306
STANDARD - IS : 8598 / 4776
TUBE DIA & THICKNESS AS PER IS : 9295

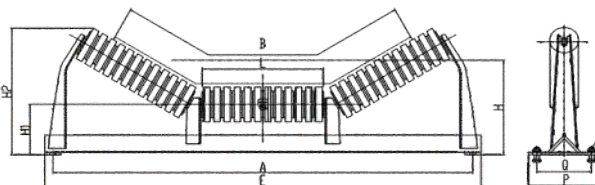
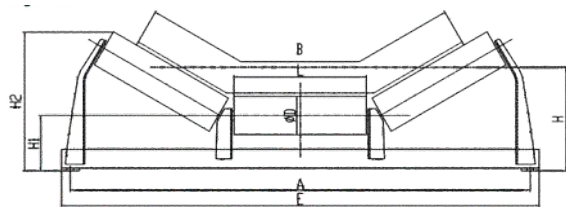
	L	M	H	E.H.
1) 114.3 dia	- 3.65	4.5	5.4	6.3
2) 139.7 dia	- 4.5	4.85	5.4	6.3
3) 165.1 dia	- 4.5	4.85	5.4	6.3

D 30 / 35 / 40 / 50 / 60 mm
 SW 22 / 28 / 32 / 42 / 52 mm
 All dimension are in mm.

SERIES : KIC : 6306 / 07 / 08 / 10 / 12

Belt Width	Roller Dia.	Flat Top / Return Idler					2 Roll Top Idler					3 Roll Top Idler				
		Dimension in mm			Wt. In Kg.		Dimension in mm			Wt. In Kg.		Dimension in mm			Wt. In Kg.	
		A	B	L	Rotating Parts	Total	A	B	L	Rotating Parts	Total	A	B	L	Rotating Parts	Total
800	114.3	950	958	992	13.3	20.8	465	473	497	7.4	11.0	315	323	347	5.6	8.0
	17.4				25.0	9.6				13.2	7.1				9.6	
	20.6				28.0	11.2				14.9	8.4				10.8	
*900	114.3	1050	1058	1092	14.5	22.8	530	538	562	8.2	12.4	350	358	382	6.0	8.8
	19.0				27.4	10.6				14.8	7.7				10.4	
	22.4				30.8	12.5				16.7	9.0				11.8	
1000	114.3	1150	1158	1192	15.7	24.9	600	608	632	9.0	13.8	380	388	412	6.4	9.4
	20.7				29.9	11.8				16.5	8.2				11.2	
	24.4				33.6	13.8				18.6	9.6				12.6	
1200	114.3	1400	1408	1442	18.7	29.9	700	708	732	10.3	15.8	465	473	497	7.4	11.0
	24.7				35.9	13.4				18.9	9.6				13.2	
	29.2				40.4	15.8				21.3	11.2				14.9	
1400	114.3	1600	1608	1642	21.1	33.9	800	808	832	11.5	17.8	530	538	562	8.2	12.4
	28.0				40.7	15.0				21.3	10.6				14.8	
	33.0				45.8	17.7				24.0	12.5				16.7	
1500	114.3	1700	1708	1742	22.4	35.9	850	858	882	12.0	18.8	565	573	597	8.6	13.0
	29.6				43.1	15.8				22.5	11.2				15.6	
	35.0				48.5	18.6				25.4	13.2				17.6	
*1600	114.3	1800	1808	1842	23.6	37.9	900	908	932	12.7	19.8	600	608	632	9.0	13.8
	31.2				45.6	16.6				23.7	11.8				16.5	
	36.9				51.2	19.6				26.7	13.8				18.6	
1800	114.3	2000	2008	2042	26.0	42.0	1000	1008	1032	13.9	21.8	670	678	702	9.9	15.2
	34.4				50.4	18.2				26.1	12.9				18.2	
	40.7				56.7	21.5				29.4	15.2				20.5	
2000	114.3	2200	2208	2242	28.4	46.0	1100	1108	1132	15.1	23.6	750	758	782	10.9	16.8
	37.7				55.2	19.9				28.3	14.2				20.1	
	41.3				58.8	23.4				31.9	16.7				22.6	

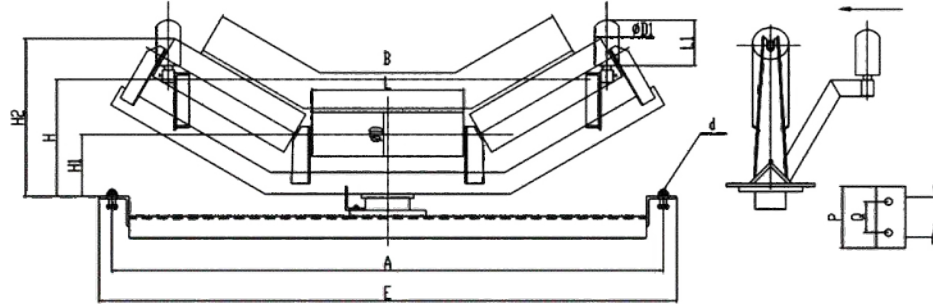
- *1. Belt Width not covered under IS.
- 2. Rollers with 76.2 mm, 101.6 mm, 127 mm & 152.4 mm, Dia can be made as per Customers specific requirement.
- 3. Impact Idlers will have rubber Rings (Shore Hardness 60°±50°) press fitted on the Ø76,1, 88,9 / 114,3 dia tube and locked at both ends.
- 4. Weight of Roller based on medium duty tube.



20°, 30°, 35°, Troughing Idler Set (Plain & Impact Type with Stringer & Return Idler)

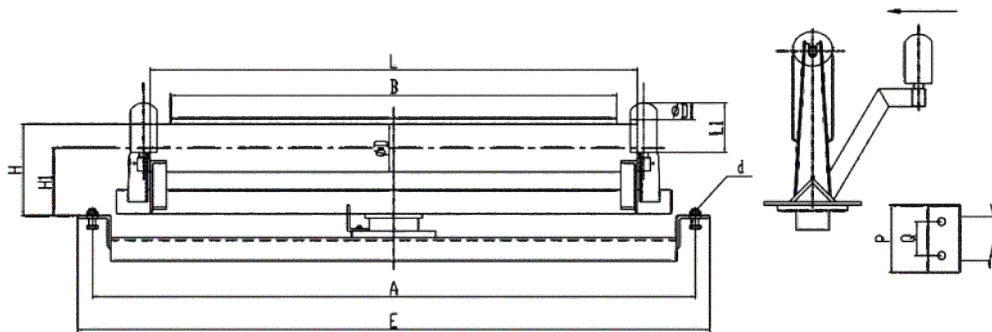
Belt Width (B)	Roller		Bearing No	A	E	H	H1	H2	P	Q	d
	D	L						∅=35°			
500	89	200	204	740	800	220	135.5	300	170	130	M12
650	89	250	2,04,205	890	950	235	135.5	329	170	130	M12
	114		20,42,05,305			265	146	346			
800	89	315	2,04,205	1090	1150	245	135.5	366	170	130	M12
	114		2,04,205			270	146	385			
1000	114	380	2,05,30,52,06,306	1290	1350	300	159	437	220	170	M16
	139		2,05,30,52,06,306			325	173.5	462			
1200	114	465	2,05,30,52,06,306	1540	1600	335	176	503	260	200	M16
	139		2,05,30,52,06,306			360	190.5	528			
	159		2,05,30,52,06,306			390	207.5	557			
1400	114	530	2,05,30,52,06,306	1740	1800	350	184	548	280	220	M16
	139		2,05,30,52,06,306			380	198.5	573			
	159		2,05,30,52,06,306			410	215.5	603			
1600	139	600	2,05,30,52,06,306	1980	2050	425	212.5	629	300	240	M16
	159		205,305, 206,306 207, 307, 208, 309			450	225.5	653			
	194		207, 307, 208, 309			485	246.5	674			
1800	139	670	205, 305, 206, 306	2180	2250	440	212.5	670	340	270	M16
	159		205, 305, 206, 306 307, 308, 309			465	225.5	693			
	194		207, 307, 308, 309			500	246.5	714			
2000	139	750	205, 305, 206, 306	2420	2500	470	222.5	725	340	270	M16
	159		305,206,306,207, 307,308,309			495	235.5	749			
	194		207, 307, 308, 309			530	252.5	783			
2200	159	800	207, 306, 207, 307, 308, 309	2720	2800	515	235.5	778	340	270	M16
	194		307, 307, 308, 309			550	252.5	812			
2400	159	900	206, 306, 207, 307, 308, 309	3020	3110	570	232.5	828	340	270	M20
	194		207, 307, 308, 309			620	265	878			

* Belt Width not covered under IS.
All dimensions are in mm.



Belt Width (B)	Roller		EDGER		BEARING No	A	E	H	H1	H2	P	Q	d
	D	L	D1	L1									
500	89	190	60	154	204	720	770	210	125.5	266	170	130	M12
650	89	240			204	870	920	230	125.5	291	170	130	M12
800	89	305			204	1070	1120	240	125.5	323	170	130	M12
1000	114	375			305	1300	1350	300	156	400	220	170	M16
1200	114	455			305	1550	1600	330	176	460	260	200	M16
1400	114	525			305	1750	1810	350	176	495	260	200	M16

* Belt Width not covered under IS.
All dimensions are in mm.



Belt Width (B)	Roller		EDGER		BEARING No	A	E	H	H1	P	Q	d
	D	L	D1	L1								
500	89	600	60	154	204	720	770	210	166	170	130	M12
650	89	750			204	870	920	230	186	170	130	M12
800	89	950			204	1070	1120	240	196	170	130	M12
1000	114	1150			305	1300	1350	300	246	220	170	M16
1200	114	1400			305	1550	1600	330	276	260	200	M16
1400	114	1600			305	1750	1810	350	296	260	200	M16

* Belt Width not covered under IS.
All dimensions are in mm.

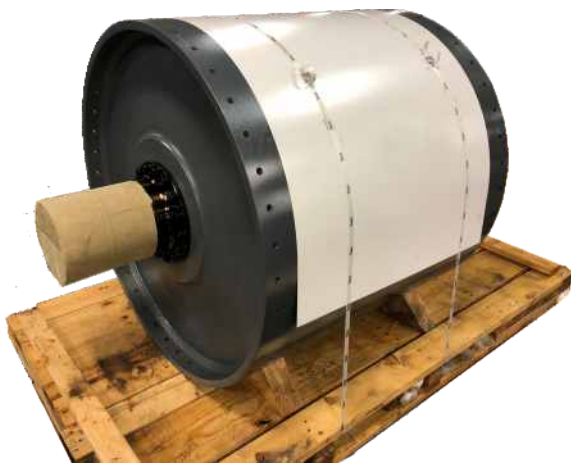
**DRUM
PULLEY**



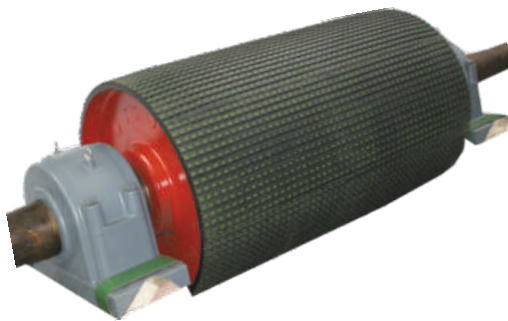
Head Pulley



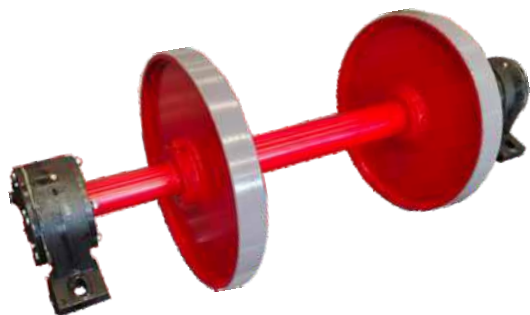
Tail Pulley



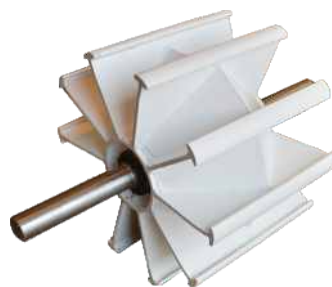
Drive Pulley



Snub Pulley



Band Pulley



Wing Pulley

QUALITY POLICY

KIC Standard Conveyor Pulleys are fabricated from steel shells / plates with welded end plates and bosses keyed / fitted direct / through Tapper sleeve on the shaft.

Shell thickness before machining - from 8 to 20 mm. The distance over bosses can be made to suit any requirement, however, we recommend that this be as wide as possible to keep the dimension between the boss and bearings to minimum to reduce shaft flexing.

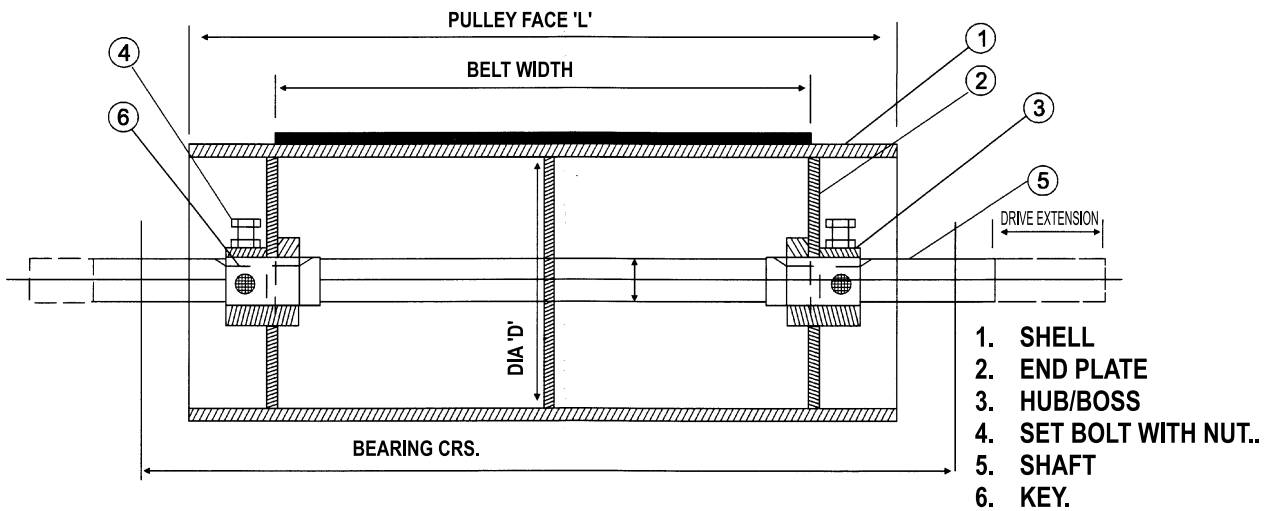
Drive / Tail / Take-up pulleys have machined crowned faces to train and reduce wear on Belt. Other pulleys are with straight face.

Plain or grooved rubber lagging can be furnished when additional friction is required between belt and pulley or if the application calls for the same such as handling wet / abrasive materials etc.

All Pulleys are concentric and statically balanced and confirm to IS:8531

Belt Width B.W. mm	Standard Dia 'D' mm	Face mm 'L' mm	Shaft Dia 'd' mm
400	-217, 271, 321, 353, 400, 454, 500, 630 800, 1000, 1250, 1400 and 1600 mm. -	500	- Advalable from 45 mm. -
* 450		550	
500		600	
* 600		700	
650		750	
* 750		850	
800		950	
* 900		1050	
1000		1150	
1200		1400	
1400		1600	
* 1500		1700	
1600		1800	
1800		2000	
2000		2200	

* Belt Width not covered under IS.



Lagging Facility



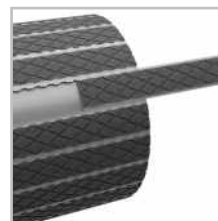
Harringbone



Plain



Daimond

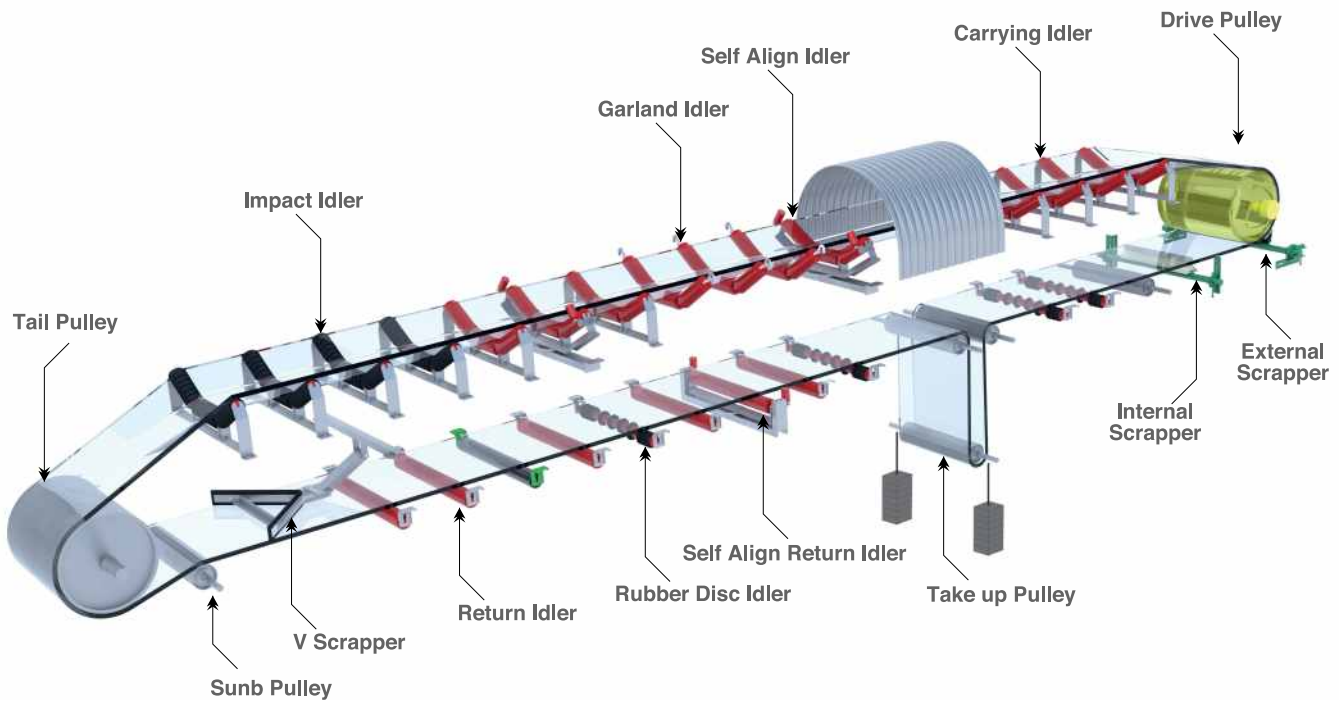


Slide



Ceramic

Full Conveyor Line



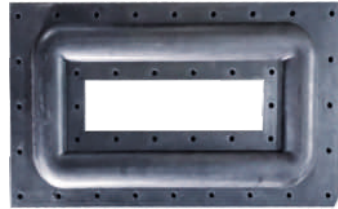
Rubber Belt



Chevron Belt



Rubber Diaphragm



Belt Fasteners



Takeup Screw



Vibrating Screen Hub



Internal Scrapers



External Scrapers



MS PLUMMER BLOCK



22300 SERIES PLUMMER BLOCK BEARING

MODEL	A SIZE	B	C	D	E	F	G	H	S 1	S 2	WEIGHT
22310	50 MM	81 MM	19 MM	55 MM	240 MM	185 MM	155 MM	101 MM	18 MM	28 MM	8.260 KG
22310	2"	81 MM	19 MM	55 MM	240 MM	185 MM	155 MM	101 MM	18 MM	28 MM	8.260 KG
22313	65 MM	98.5 MM	20 MM	64 MM	271 MM	213 MM	188 MM	109 MM	18 MM	28 MM	12.710 KG
22313	2.5"	98.5 MM	20 MM	64 MM	271 MM	213 MM	188 MM	109 MM	18 MM	28 MM	12.710 KG
22315	75 MM	108.5 MM	21 MM	73 MM	298 MM	233 MM	207 MM	121 MM	18 MM	32 MM	17.080 KG
22315	3"	108.5 MM	21 MM	73 MM	298 MM	233 MM	207 MM	121 MM	18 MM	32 MM	17.080 KG
22210	50 MM	60.5 MM	16 MM	39 MM	212 MM	167 MM	109 MM	80 MM	18 MM	24 MM	3.500 KG
22210	2"	60.5 MM	16 MM	39 MM	212 MM	167 MM	109 MM	80 MM	18 MM	24 MM	3.500 KG

K SERIES PLUMMER BLOCK



K SERIES PLUMMER BLOCK BEARING

MODEL	A SIZE	B	C	D	E	F	G	H	S 1	S 2	WEIGHT
K 22211	50 MM	72 MM	19 MM	53 MM	232 MM	175 MM	140 MM	93 MM	16 MM	28 MM	5.800 KG
K 22211	2"	72 MM	19 MM	53 MM	232 MM	175 MM	140 MM	93 MM	16 MM	28 MM	5.800 KG
K 22212	55 MM	77 MM	19 MM	53 MM	233 MM	175 MM	154 MM	101 MM	18 MM	28 MM	7.500 KG
K 22213	60 MM	82 MM	19 MM	56 MM	245 MM	190 MM	162 MM	108 MM	18 MM	28 MM	9.000 KG
K 22215	65 MM	87 MM	19 MM	61 MM	257 MM	200 MM	173 MM	103 MM	18 MM	28 MM	9.800 KG
K 22215	2.5"	87 MM	19 MM	61 MM	257 MM	200 MM	173 MM	103 MM	18 MM	28 MM	9.800 KG
K 22216	70 MM	92 MM	22 MM	62 MM	278 MM	210 MM	183 MM	109 MM	20 MM	30 MM	11.900 KG
K 22217	75 MM	96.5 MM	22 MM	66 MM	290 MM	230 MM	192 MM	112 MM	20 MM	30 MM	13.700 KG
K 22217	3"	96.5 MM	22 MM	66 MM	290 MM	230 MM	192 MM	112 MM	20 MM	30 MM	13.700 KG

Cement Plant



Port Conveyor



Power Plant Conveyor



Crusher Plant



Transport Conveyor



Bulk Material Handling Conveyor



Fertilizer Plant



Mining Conveyor



Our Welknown Customer



EVENTS





KHODIYAR

INDUSTRIAL PVT. LTD.

Plot No. 457 to 460,
Golden Green Industrial City,
Village - Khabha, Mavadi - Pal Road,
Nr. Makhawad Chowk, Dist. RAJKOT.
Gujarat (India)

+91 96875 67045
+91 63552 21947

info@kic.co.in
mktg@kic.co.in

www.kic.co.in

